

High Frequency Ceramic Solutions

2450 MHz Harmonic Low Pass Filter EIA 0603, SMD

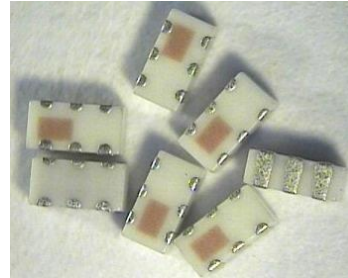
P/N 2450LP14B100

Detail Specification: 3/1/2016

Page 1 of 3

General Specifications

| | |
|--|--------------------------------|
| Frequency (MHz) | 2400 - 2500 |
| Insertion Loss (dB) | 0.50 max. |
| Attenuation (min.) | 35 dB @ 2 x fo |
| Attenuation (min.) | 25 dB @ 3 x fo |
| Power Capacity | 3W max. (CW) |
| Recommended Storage Conditions (unmounted/unused product on T&R) | +5 ~ +35 °C, Humidity 45~75%RH |
| Operating Temperature | -40 to +85°C |
| Storage Temperature | -40 to +85°C |

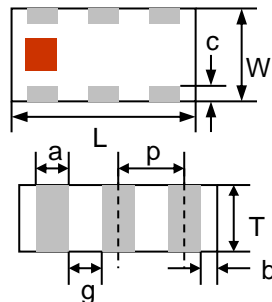


Part Number Explanation

| | | | | |
|------------|-------------------------------------|----------|---------------|--|
| P/N Suffix | Packing Style | Bulk | Suffix = S | 2450LP14B100S |
| | | T & R | Suffix = T | 2450LP14B100T (Reel Size: 4000pcs) |
| | Termination style | 100% Tin | Suffix = None | 2450LP14B100(T/S) |
| | 50Ω SMA Connector Eval Board | | | 2450LP14B100-EB-SMA (orderable p/n) |

Mechanical Dimensions

| | In | mm |
|---|-------------------|-----------------|
| L | 0.063 ± 0.004 | 1.60 ± 0.10 |
| W | 0.031 ± 0.004 | 0.80 ± 0.10 |
| T | 0.024 ± 0.004 | 0.60 ± 0.10 |
| a | 0.008 ± 0.004 | 0.20 ± 0.10 |
| b | 0.008 +.004/-.006 | 0.20 +0.1/-0.15 |
| c | 0.006 ± 0.004 | 0.15 ± 0.10 |
| g | 0.012 ± 0.004 | 0.30 ± 0.10 |
| p | 0.020 ± 0.002 | 0.50 ± 0.05 |



Terminal Configuration

| No. | Function | No. | Function |
|-----|----------|-----|----------|
| 1 | GND | 4 | GND |
| 2 | IN/OUT | 5 | IN/OUT |
| 3 | GND | 6 | GND |

Mounting Considerations

Solder Resist
 Land
 Through-hole ($\phi 0.35$)
 If DC Blocking is required, use a 10-12pF capacitor in the I/Os

*Trace must be designed to a 50Ω characteristic impedance based on PCB material and thickness.

 Want the layout file or need us to revise your layout to make sure is correct? Send us a message at:
www.johansontechnology.com/ask-a-question

Johanson Technology, Inc. reserves the right to make design changes without notice.

All sales are subject to Johanson Technology, Inc. terms and conditions.



www.johansontechnology.com

4001 Calle Tecate • Camarillo, CA 93012 • TEL 805.389.1166 FAX 805.389.1821

Ver. 3.1

2016 Johanson Technology, Inc. All Rights Reserved

High Frequency Ceramic Solutions

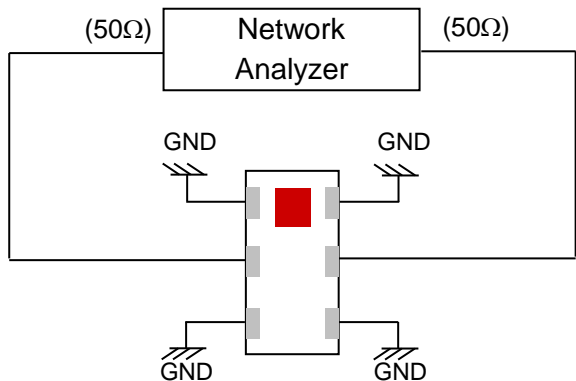
2450 MHz Harmonic Low Pass Filter EIA 0603, SMD

P/N 2450LP14B100

Detail Specification: 3/1/2016

Page 2 of 3

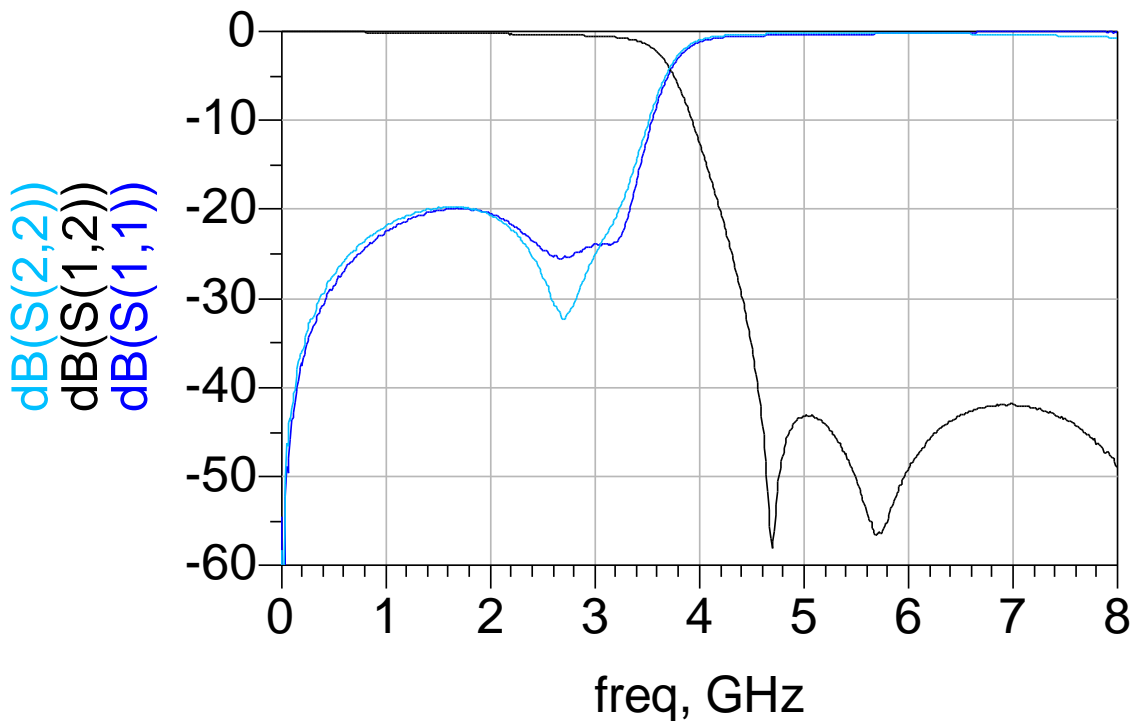
Measuring Diagram



Click here Order the SMA-ready Evaluation Board p/n 2450LP14B100-EB-SMA:

www.johansontechnology.com/request-a-sample

Typical Electrical Performance (T=25°C)



Johanson Technology, Inc. reserves the right to make design changes without notice.
All sales are subject to Johanson Technology, Inc. terms and conditions.

High Frequency Ceramic Solutions

2450 MHz Harmonic Low Pass Filter EIA 0603, SMD

P/N 2450LP14B100

Detail Specification: 3/1/2016

Page 3 of 3

Packaging information

www.johansontechnology.com/tape-reel-packaging

Soldering Information

www.johansontechnology.com/typical-soldering-profile.html

RoHS Compliance

www.johansontechnology.com/rohs-compliance

MSL Info

www.johansontechnology.com/msl-rating

To Download Measured S-parameters for Evaluation and Simulation:

www.johansontechnology.com/low-pass-filters

For layout review contact our Applications Team at:

www.johansontechnology.com/ask-a-question

Johanson Technology, Inc. reserves the right to make design changes without notice.
All sales are subject to Johanson Technology, Inc. terms and conditions.



www.johansontechnology.com
4001 Calle Tecate • Camarillo, CA 93012 • TEL 805.389.1166 FAX 805.389.1821
Ver. 3.1

2016 Johanson Technology, Inc. All Rights Reserved